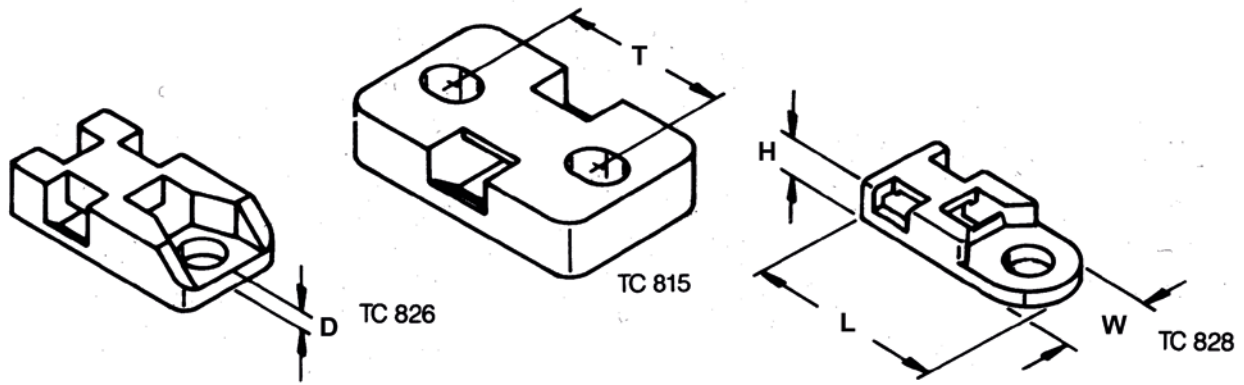


TC-SB



TECHNICAL DATA

Screw base

Temperature range -40°C to +85°C
short term up to +105°C

■ STRUCTURE

- Material: Polyamide (PA) 6.6

■ APPLICATION

- Mounting base for bolting or riveting. Cable binder can be inserted from 4 sides.

■ NOTES

- Legend:
Dimensions
H - Height
W - Width
L - Length
T - Thickness

transparent

Part no.	Fixing	Type	Height mm	Width mm	Length mm	Thickness mm	Boring mm	Tie width max mm	Packaging unit (in pc.)
93007	screw and rivet	TC 815	6.6	19.6	32.0	19.9	5.3	7.6	500
93044	screw and rivet	TC 826	5.7	12.7	23.8		4.4	4.8	1000
93045	screw and rivet	TC 828	3.8	10.2	22.5		4.3	4.8	1000