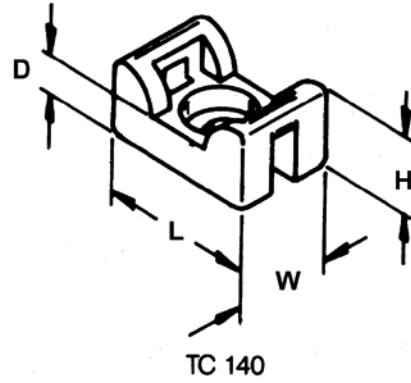


# TC-WS



## TECHNICAL DATA

### Cable Tie Mounts

Temperature range -40°C to +85°C  
short term up to +105°C

### ■ STRUCTURE

- Material: Polyamide (PA) 6.6

### ■ APPLICATION

- Mounting base with support saddle.

### ■ NOTES

- Legend:  
Dimensions  
H - Height  
W - Width  
L - Length  
D - Distance drill hole to cable tie

## transparent

Part no.	Fixing	Type	Height mm	Width mm	Length mm	Distance drill hole to cable tie	Stud hole (M)	Tie width max mm	Packaging unit (in pc.)
93005	screw and rivet	TC 140	6.7	8.7	14.3	3.6	3	2.4	500
93003	screw and rivet	TC 141	8.3	11.1	17.1	4.0	3.8	4.8	500
93004	screw and rivet	TC 142	10.7	14.3	23.4	5.2	5.2	7.6	500