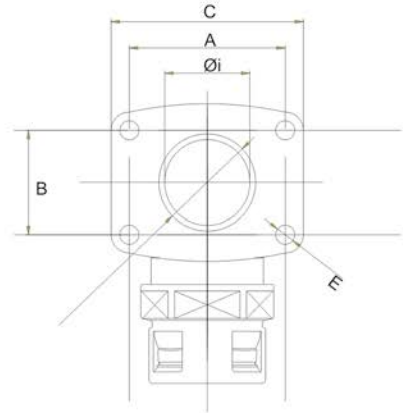


HSSV elbow 90° flange



TECHNICAL DATA

Corrugated tubes conduit gland

Temperature range	-40°C to +110°C
Protection class	IP 65

■ STRUCTURE

- Material: Polyamide (PA) 6
- Flammability acc. to UL 94 (V0)

■ PROPERTIES

- halogen-free
- cadmium-free
- resistant to: fuels, mineral oils, greases, weak bases, weak acids

■ APPLICATION

- Machine and plant construction
- Robotics
- Automation technology
- Vehicle construction and shipbuilding
- Railway technology
- Installation technology
- Control cabinet construction
- Flange.
 - Quick-insert glands for a reliable, quick connection.
 - Suitable for parallel-coiled HELUcond protection tubes.

■ NOTES

- Protection classification: IP 66 with outer seal
- Threaded connection: metric to EN 60423
- Each unit includes 1 safety opener

Suitable for nominal size	Packaging unit (in pc.)	grey	black
		Part no.	Part no.
17	50	920209	920214
21 / 23	50	920210	920215
29	25	920211	920216
36 / 37	25	920212	920217
48 / 50	10	920213	920218