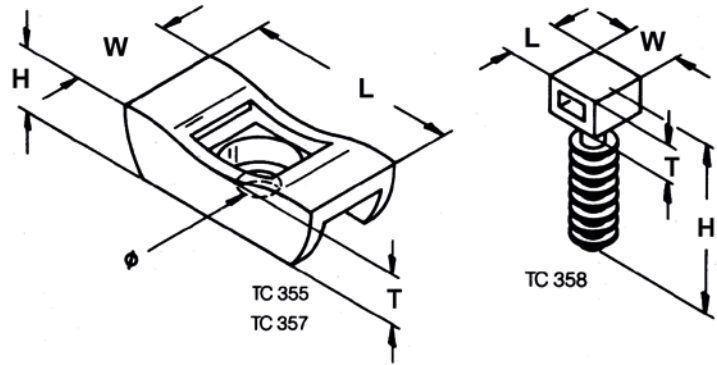


TC-MB



TECHNICAL DATA

Mounting base

Temperature range -40°C to +85°C
short term up to +105°C

■ STRUCTURE

- Material: Polyamide (PA) 6.6
- Flammability acc. to UL 94 : V2

■ PROPERTIES

- silicone-free
- halogen-free

■ APPLICATION

- Mounting base for robust fastening of lines, pipes and tubes - outdoor applications included.

■ NOTES

- Legend:
Dimensions
H - Height
W - Width
L - Length
T - Thickness

black

Part no.	Fixing	Type	Height mm	Width mm	Length mm	Thickness mm	Boring mm	Tie width max mm
91046	screw and rivet	TC 5355	15.9	19.1	44.5	11.1	4.6	12.7
91047	screw and rivet	TC 5357	15.9	19.1	44.5	11.1	6.7	12.7
91048	plug-in dowel	TC 5358	31.8	9.9	9.9	7.1	6.4	4.8