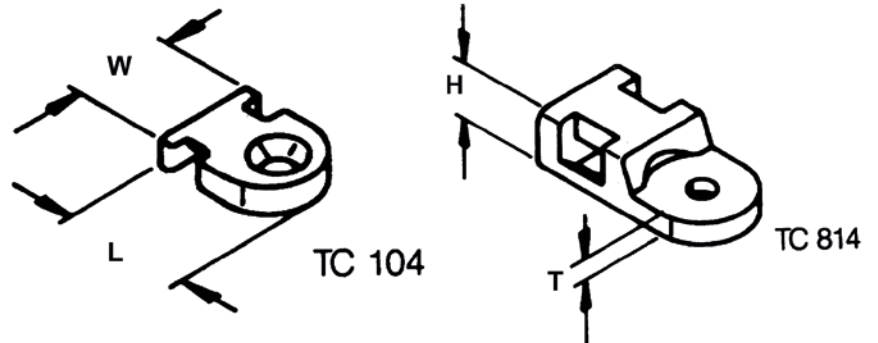


CTM-TC



TECHNICAL DATA

Cable Tie Mounts

Temperature range -40°C to +85°C
short term up to +105°C

■ STRUCTURE

- Material: Polyamide (PA) 6.6

■ APPLICATION

- Small base for band fastening with countersunk screws, cylinder bolts or rivet assembly.

■ NOTES

- Legend:
H - Height
W - Width
L - Length
T - Thickness

transparent

Part no.	Fixing	Type	Height mm	Width mm	Length mm	Boring mm	Tie width max mm	Packaging unit (in pc.)
91039	screw and rivet	TC 102	3.2	12.7	19.1	4.4	4.8	100
91040	screw and rivet	TC 104	2.4	7.9	10.3	3.4	2.4	100
91042	screw and rivet	TC 112	4.8	9.5	19.1	4.4	4.8	100
91043	screw and rivet	TC 812	5	9.8	19.3	5.1	4.8	100
93006	screw and rivet	TC 814	5	9.8	19.3	3.3	4.8	100