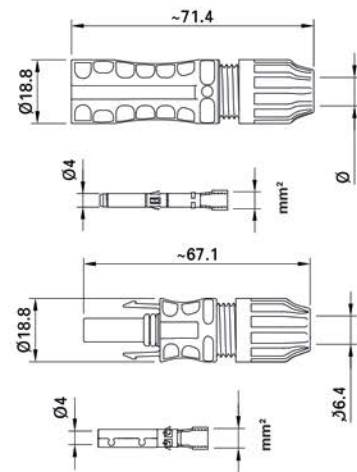


PV-MC4 Evo 2



TECHNICAL DATA

PV-male and female cable coupler

| | |
|-------------------|----------------|
| Temperature range | -40°C to +85°C |
| Protection class | IP 68 |
| Safety class | II |
| Rated voltage | 1500 V (IEC) |

| | |
|--------------------|--------------------------------------------------------------------------------------------------------------|
| Rated current | 39A (2.5 mm ²), 45A (4 mm ²), 53A (6 mm ²), 69A (10 mm ²) |
| Contact resistance | 0.20 mOhm |

■ STRUCTURE

- Material: Polyamide (PA) V0 acc. to UL 94
- Contact: Cu, tinned
- Contact system with MULTILAM Technology with snap-in locking type contact system

MC4 Evo 2 male cable coupler

| cross-section from / to mm ² | Cable Ø from / to mm | Packaging unit | | |
|-----------------------------------------------|-------------------------|----------------------------|-----------------------------|------------------------------|
| | | 10 Part no. (in pc.) | 100 Part no. (in pc.) | 1000 Part no. (in pc.) |
| 2.50 | 4.70 - 6.40 | 11024804 | 11024822 | 11020678 |
| 2.50 | 6.40 - 8.40 | 11024805 | 11024823 | 11020679 |
| 4.00 - 6.00 | 4.70 - 6.40 | 11024811 | 11024829 | 11018710 |
| 4.00 - 6.00 | 6.40 - 8.40 | 11024806 | 11024824 | 11020680 |
| 10.00 | 6.40 - 8.40 | 11024813 | 11024831 | 11019212 |

MC4 Evo 2 female cable coupler

| cross-section from / to mm ² | Cable Ø from / to mm | Packaging unit | | |
|-----------------------------------------------|-------------------------|----------------------------|-----------------------------|------------------------------|
| | | 10 Part no. (in pc.) | 100 Part no. (in pc.) | 1000 Part no. (in pc.) |
| 2.50 | 4.70 - 6.40 | 11024807 | 11024825 | 11020682 |
| 2.50 | 6.40 - 8.40 | 11024808 | 11024826 | 11020683 |
| 4.00 - 6.00 | 4.70 - 6.40 | 11024810 | 11024828 | 11018706 |
| 4.00 - 6.00 | 6.40 - 8.40 | 11024809 | 11024827 | 11020684 |
| 10.00 | 6.40 - 8.40 | 11024812 | 11024830 | 11019211 |